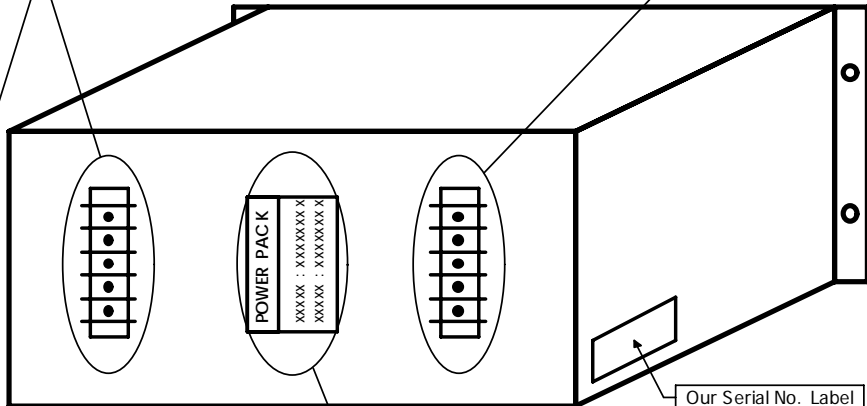
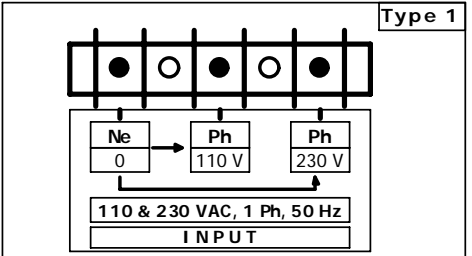


Power Pack Unit

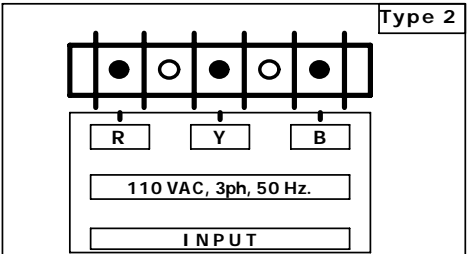
Isometric view



'Input' AC Terminals

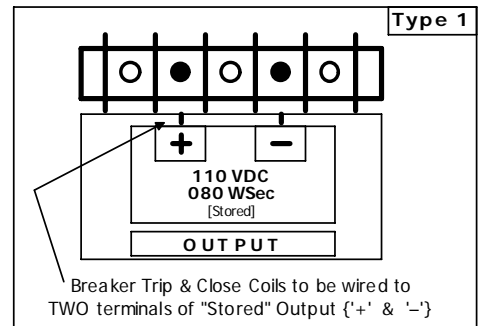


Either 110V [or] 230 V AC to be applied across above terminals {'Ne' & 'Ph'}, as shown

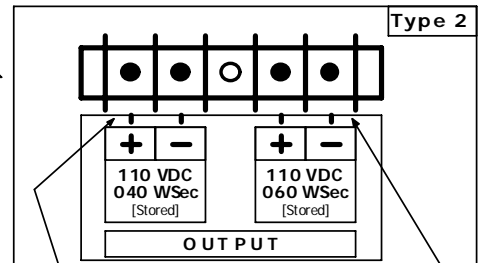


110V AC, 3 Phase, [3 wire], to be applied across above terminals {'R', 'Y' & 'B'}, as shown

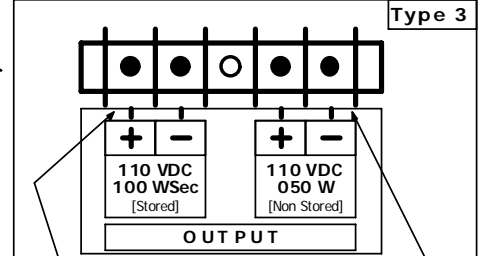
'Output' DC Terminals



Breaker Trip & Close Coils to be wired to TWO terminals of "Stored" Output {'+' & '-'}



Breaker Trip & Close Coils to be wired to TWO terminals of "Stored [1]" Output {'+' & '-'}
 Aux. Supply for Static Relays to be wired to TWO terminals of "Stored [2]" Output {'+' & '-'}



Breaker Trip & Close Coils to be wired to TWO terminals of "Stored" Output {'+' & '-'}
 Other DC Loads to be wired to TWO terminals of "NonStored" Output {'+' & '-'}

Product Label

POWER PACK	
Input	110 V [or] 230 VAC, 1 Ph, 50 Hz
Output	[1]. 110 VDC, 100 WSec [Stored] [2]. 110 VDC, 050 W [NonStored]

various Types

various Types

Our Serial No. Label